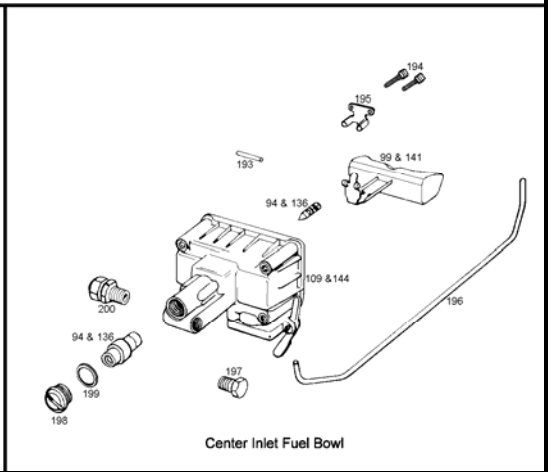
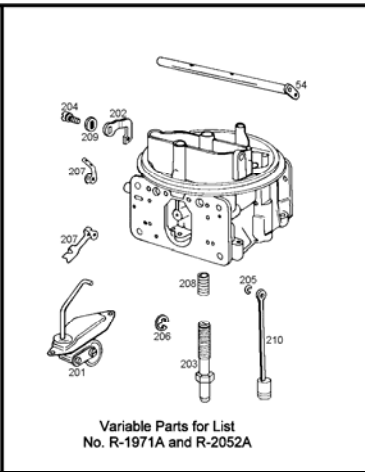
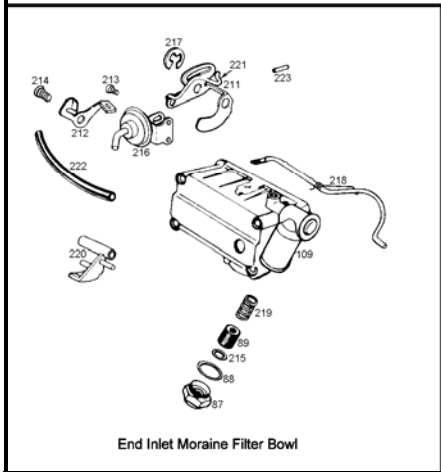
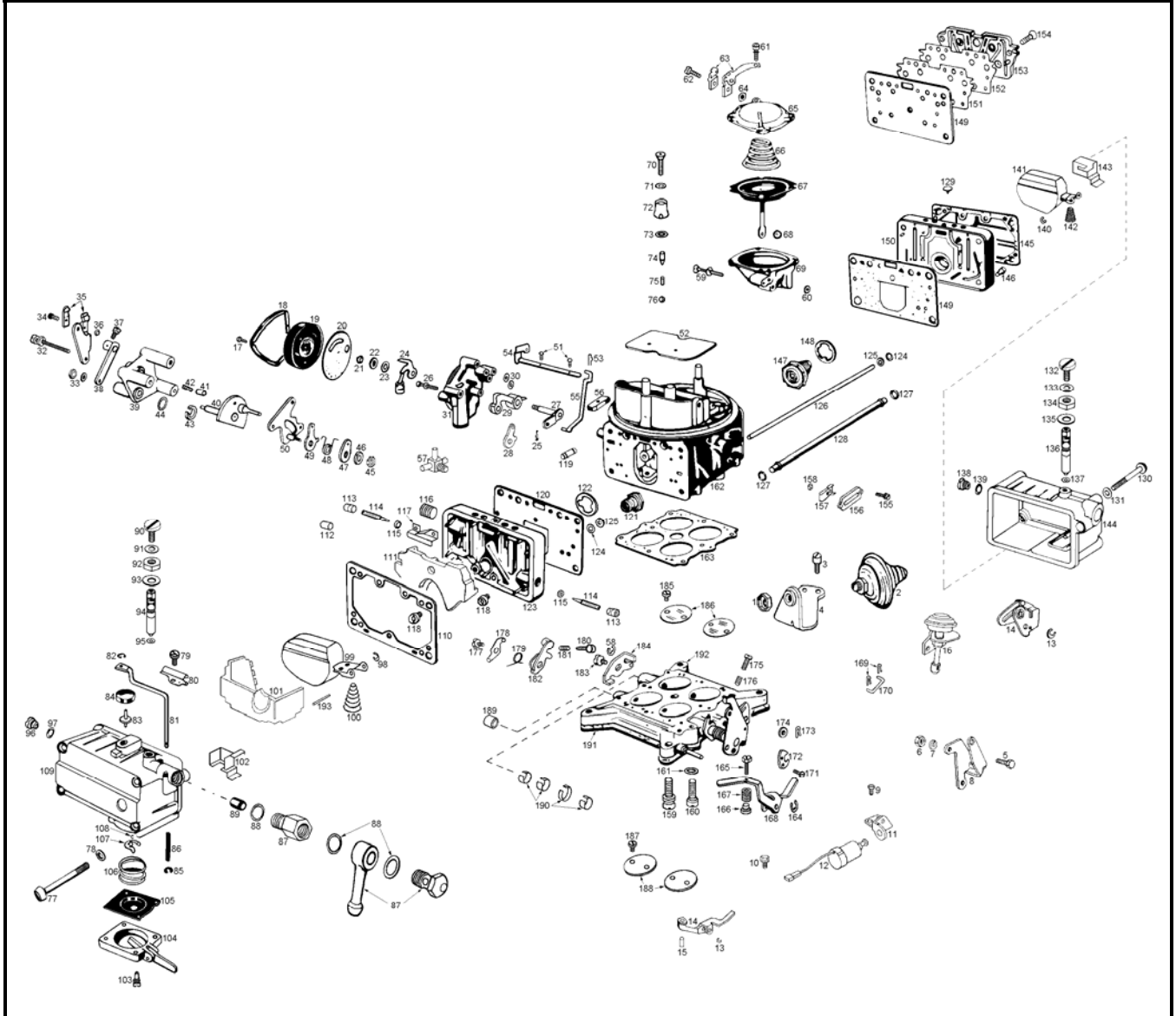


EXPLODED VIEW - MODEL 4150/4160



NOMENCLATURE - MODEL 4150/4160

<i>Ref. No.</i>	<i>Description</i>	<i>Ref. No.</i>	<i>Description</i>
1	Dashpot Nut	2	Dashpot Assembly
3	Dashpot Bracket Screw	4	Dashpot Bracket
5	Throttle Lever Extension Screw	6	Throttle Lever Extension Nut
7	Lockwasher Extension Nut	8	Throttle Lever Extension
9	Solenoid Bracket Screw	10	Solenoid Bracket Screw
11	Solenoid Bracket	12	Solenoid Assembly
13	Cam Follower Retainer	14	Cam Follower Lever
15	Pump Operating Lever Screw Sleeve	16	Modulator Assembly
17	Thermostat Housing Clamp Screw	18	Thermostat Housing Clamp
19	Thermostat Housing Assembly	20	Thermostat Housing Gasket
21	Choke Thermostat Shaft Nut	22	Shaft Nut Lockwasher
23	Thermostat Lever Spacer	24	Thermostat Lever, Link & Piston Assembly
25	Choke Rod Retainer	26	Choke Housing Screw
27	Choke Housing Lever & Shaft Assembly	28	Choke Thermostat Lever
29	Fast Idle Cam Assembly	30	Choke Housing Gasket
31	Choke Housing Assembly	32	Fast Idle Cam Plate Screw
33	Choke Control Lever Nut & Lockwasher	34	Wire Bracket Clamp Screw
35	Choke Control Wire Bracket Clamp	36	Wire Bracket Clamp Screw Nut
37	Choke Lever Assembly Swivel Screw	38	Choke lever & Swivel Assembly
39	Fast Idle Cam Plate	40	Fast Idle Cam and Shaft Assembly
41	Fast idle Cam Plunger	42	Fast Idle Cam Plunger Spring
43	Choke Operating Lever Spring Washer	44	Choke Operating lever Washer
45	Back-up Plate Stud Nut	46	Stud Nut Lockwasher
47	Choke Spring Washer	48	Choke Spring
49	Choke Rod & Lever Bushing Assembly	50	Back-up Plate & Stud Assembly
51	Choke Plate Screw	52	Choke Plate
53	Choke rod Retainer	54	Choke lever & Shaft Assembly
55	Choke Rod	56	Choke Rod Seal
57	Four-way Hose Connector	58	Secondary Diaphragm Link Retainer
59	Secondary Diaphragm Housing Screw	60	Secondary Diaphragm Housing Gasket
61	Secondary Diaphragm Cover Screw	62	Wire Bracket & Clamp Screw
63	Wire Bracket Clamp	64	Clamp Screw Nut
65	Secondary Diaphragm Cover	66	Secondary Diaphragm Spring
67	Secondary Diaphragm Housing Check	68	Secondary Diaphragm Housing Check Ball
69	Secondary Diaphragm Housing	70	Pump Discharge Nozzle Screw
71	Pump Discharge Nozzle Screw Gasket	72	Pump Discharge Nozzle
73	Pump Discharge Nozzle Gasket	74	Pump Discharge Needle Valve
75	Pump Check Ball Weight	76	Pump Discharge Nozzle Check Ball
77	Primary Fuel Bowl Screw	78	Primary Fuel Bowl Screw Gasket
79	Air Vent Clamp Screw	80	Air Vent Rod Clamp
81	Air Vent rod	82	Air Vent Valve Retainer
83	Air Vent valve	84	Air Vent Cap
85	Air Vent Rod Spring Retainer	86	Air Vent Rod Spring
87	Fuel Inlet Fitting	88	Fuel Inlet Fitting Gasket
89	Fuel Inlet Filter	90	Primary Fuel Valve Seat Lockscrew
91	Fuel Valve Seat Lockscrew Gasket	92	Fuel Valve Seat Adjustment Nut
93	Fuel Valve Adjustment Nut Gasket	94	Primary Fuel Inlet & Valve Seat Assembly
95	Fuel Valve Seat O-Ring Seal	96	Fuel Level Check Plug
97	Fuel Level Check Plug Gasket	98	Float Retainer
99	Primary Float Assembly	100	Primary Float spring
101	Primary Fuel Bowl Filler	102	Primary Baffle Plate
103	Pump Diaphragm Cover Screw & Lockwasher	104	Primary Pump Diaphragm Cover Assembly
105	Primary Pump Diaphragm Assembly	106	Primary Diaphragm Return Spring
107	Primary Check Ball Retainer	108	Primary Check Ball or Check Valve
109	Primary Fuel Bowl Assembly	110	Primary Fuel Bowl Gasket
111	Primary Metering Body Filler	112	Vacuum Tube Plug
113	Idle Limiter Cap	114	Idle Adjustment Needle
115	Idle Adjustment Needle Seal	116	Spark Hole Plug
117	Metering Body Vent Baffle	118	Primary Metering jet
119	Tube & O-Ring Assembly	120	Primary Metering Body Gasket
121	Primary Power Valve Assembly	122	Primary Power Valve Gasket
123	Primary Metering Body Assembly	124	Balance Tube Washer
125	Balance Tube O-Ring Seal	126	Balance Tube
127	Fuel Line Tube O-Ring Seal	128	Fuel Line Tube
129	Secondary Bowl Vent Valve	130	Secondary Fuel Bowl Screw
131	Secondary Fuel Bowl Screw Gasket	132	Secondary Fuel Valve Seat Lock Screw
133	Fuel Valve Seat Lock Screw Gasket	134	Secondary Fuel Valve Seat Adjustment Nut
135	Fuel Valve Seat Adjustment Nut Gasket	136	Secondary Fuel Inlet Valve & Seat Assembly
137	Fuel Valve Seat O-Ring Seal	138	Secondary Fuel Level Check Plug
139	Fuel Level Check Plug Gasket	140	Float Retainer
141	Secondary Float Assembly	142	Secondary Float Spring

143	Secondary Baffle Plate	144	Secondary Fuel Bowl Assembly
145	Secondary Fuel Bowl Gasket	146	Secondary Metering Jet
147	Secondary Power Valve Assembly	148	Secondary Power Valve Gasket
149	Secondary Metering Body Gasket	150	Secondary Metering Body Assembly
151	Secondary Metering Body Plate	152	Secondary Metering Body Plate Gasket
153	Main Metering Body & Plugs Assembly - Secondary	154	Secondary Metering Body Screw
155	H.I.C. Cover Screw	156	H.I.C. Cover
157	Hot Idle Compensator Assembly	158	H.I.C. Seal
159	Throttle Body Screw & Lockwasher	160	Throttle Body Screw
161	Throttle Body Screw Gasket	162	Main Body Assembly
163	Throttle Body Gasket	164	Pump Operating Lever Retainer
165	Pump Lever Adjustment Screw	166	Pump Lever Adjustment Screw Fitting
167	Pump Lever Adjustment Screw Spring	168	Pump Lever
169	Throttle Connector Rod Cotter Pin	170	Throttle Connector Rod
171	Pump Cam Lock Screw	172	Pump Cam
173	Throttle Connector Pin Retainer	174	Throttle Connector Pin Washer
175	Throttle Stop Screw	176	Throttle Stop Screw Spring
177	Fast Idle Cam lever Screw & Lockwasher	178	Fast Idle Cam Pick-up Lever
179	Fast Idle Cam Lever Spring	180	Fast Idle Cam Lever Adjustment Screw
181	Fast Idle Cam Lever Adjustment Screw Spring	182	Fast Idle Cam Lever
183	Secondary Diaphragm Lever Assembly Screw	184	Secondary Diaphragm Lever Assembly
185	Secondary Throttle Plate Screw	186	Secondary Throttle Plate
187	Primary Throttle Plate Screw	188	Primary Throttle Plate
189	Primary Throttle Shaft Bearing (solid)	190	Throttle Shaft Bearing (Ribbon) Primary and Secondary
191	Flange Gasket	192	Throttle Body Assembly
193	Float Lever Shaft	194	Float Shaft Bracket Screw & Lockwasher
195	Float Shaft Retainer Bracket	196	Fuel Transfer Tube
197	Fuel Bowl Drain Plug	198	Fuel Bowl Plug
199	Fuel Bowl Plug Gasket	200	Fuel Transfer Tube Fitting Assembly
201	Choke Assembly - Complete (divorced)	202	Choke Shaft Lever
203	Idle By-pass Adjustment Screw	204	Choke Lever Screw and Lockwasher
205	Choke Piston Link Retainer	206	Fast Idle Cam Retainer
207	Choke Rod Clevis Clip	208	Idle By-pass Adjustment Screw Spring
209	Choke Piston Lever Spacer	210	Choke Piston and Link Assembly
211	Choke Control Lever	212	Fast Idle Cam Lever
213	Choke Diaphragm, Assy., Brkt. Screw, & Lockwasher	214	Fast Idle Cam lever Screw and Lockwasher
215	Fuel Inlet Filter Gasket	216	Choke Diaphragm Assembly - Complete
217	Choke Control Lever Retainer	218	Air Vent Rod Spring
219	Fuel Inlet Filter Spring	220	Fast Idle Cam Assembly
221	Choke Diaphragm Assembly Link	222	Choke Vacuum Tube